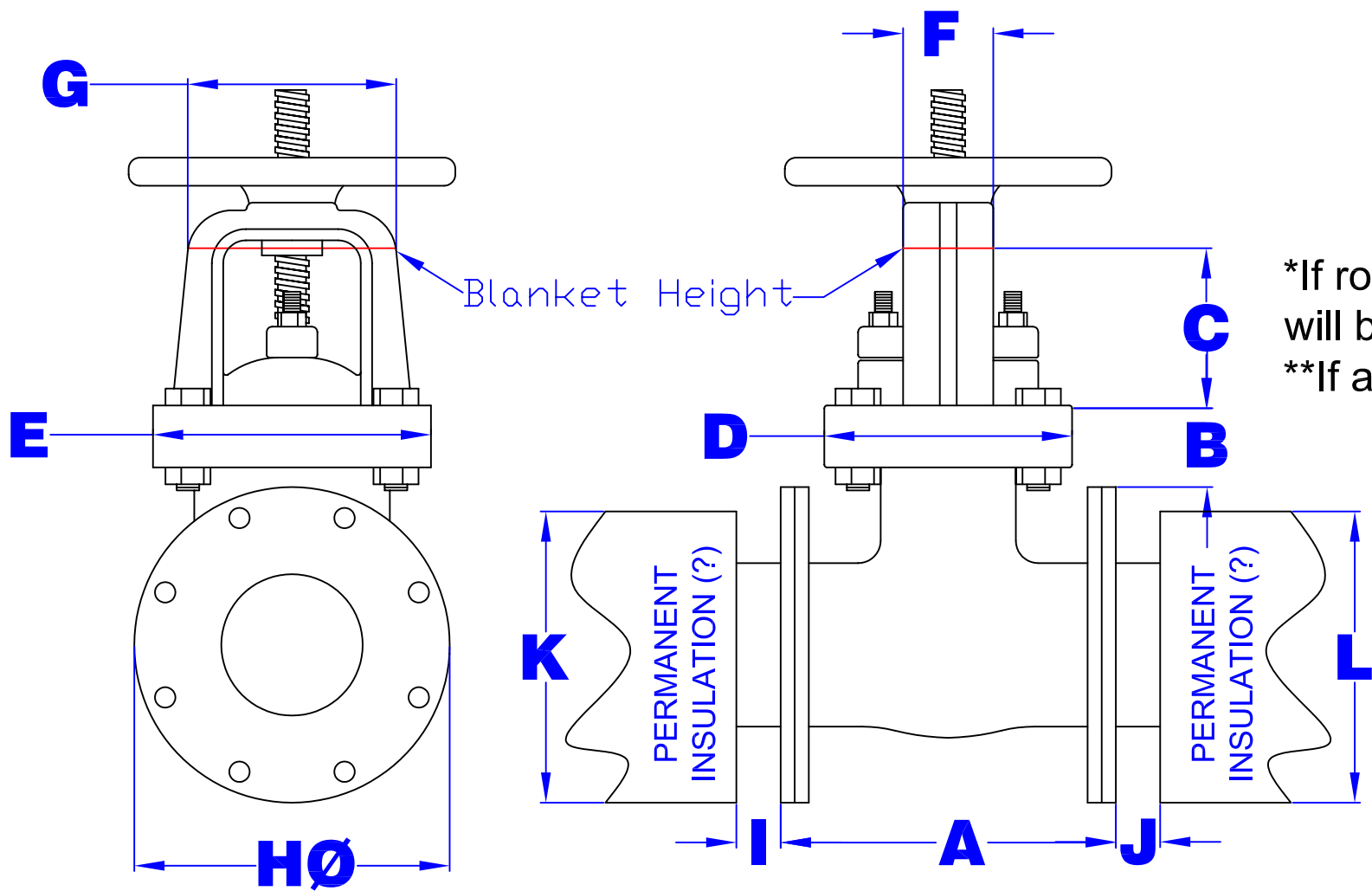




Firwin Corp., 1685 Flint Road, North York, ON M3J 2W8 Canada  
 Tel: 416.745.9389 • Fax: 416.745.0782 • www.firwin.com

## VALVE DRAWING



A	
B	
C	
D*	
E*	
F*	
G*	
H	
I**	
J**	
K**	
L**	

\*If round, D & E will be the same  
 \*\*If applicable